

**MASI20 I/O MODULE K3**

4 digital inputs, 4 digital, passive safety outputs

Digital inputs/outputs

DI4 - 0.15 A DO4 - 2 A (AB) (K3)

Safe outputs (Safety)

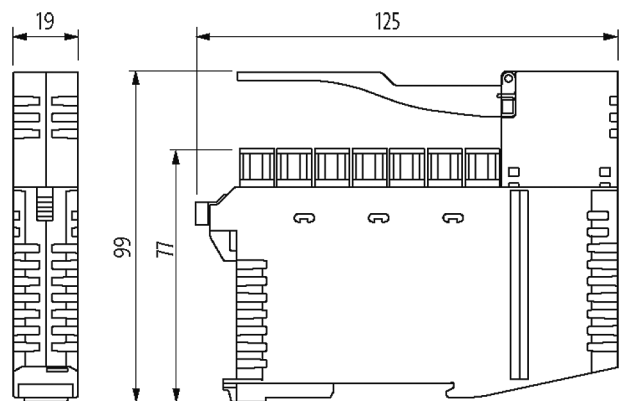
passive safety

Output groups up to PLd (EN ISO 13849-1) can be switched off via safety relays

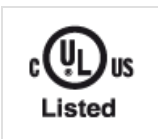
AB-Slave

Protection IP20

Current manuals can be downloaded at: [www.murrelektronik.com](http://www.murrelektronik.com)

**Illustration**

Product may differ from Image

**Approvals****Input**

Supply voltage	alternatively (switchable) from AS-Interface or from 24 V DC (EN 61131-2) by additional supply
Sensor supply US	max. 150 mA externally or from AS Interface (short-circuit and overload protected)
Type	for 3-wire sensors or mechanical switches, PNP

Input current	max. 5.6 mA
---------------	-------------

#### Output

Supply voltage	24 V DC (20...30 V DC) EN 61131-2 by additional supply, safely separated from input supply
Switching current per output	max. 2 A (max. 60 °C), short-circuit and overload protected
Total current	max. 4 A
Switch off time in case of short circuit	approx. 20 ms

#### General data

Protection	IP20
Connection	Push-In spring clamp terminals, 0.2...2.5 mm <sup>2</sup> (0.25...1.5 mm <sup>2</sup> )
Mounting method	DIN-rail mountable (EN 60715)
Temperature range	-25...+70 °C (storage temperature -25...+85 °C)
Dimensions H×W×D	125×19×99 mm

#### Technical Data

Bus voltage (AS-Interface)	26.5...31.6 V DC
Total current (AS-Interface)	max. 190 mA
Addressing	via built-in address port or master
Address range	1...62 (1...31 A or B) via address port
Profile (IO/ID/ID2 code)	S-7.A.7

#### Diagnostic

Communication status	via LED
Diagnostic via LED	per module
Monitoring - no voltage	yes

#### Commercial data

country of origin	SG
customs tariff number	85176200
EAN	4048879705288
eClass	27242604
Packaging unit	1